

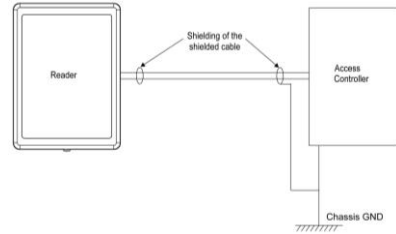
Magic Series Flush Mount OSDP Reader Installation Manual

Specification

Input voltage (at reader end)	DC9V~15V	Typical read range	2~5cm
Operating current	160mA (max)	Maximum cable length	800m
Operating temperature	-30°C~70°C	Keypad format	N/A

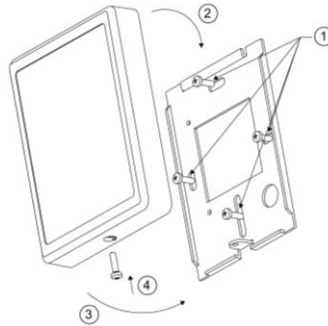
Recommendation

- Use a linear DC power supply.
- Use 22AWG shielded cable. A “one-point” ground (as shown in the diagram) is essential.



Mounting

1. Install the metal plate on the wall.
Use two or four screws, depending on the gang box used.
2. Clip the cover to the upper edge.
3. Push in the bottom.
4. Tighten the secure, non-dropout screw, located underneath the reader, to fix the reader and the back plate.



Power up sequences

1. Power up the reader. The green LED flickers for 5s, then the reader beeps once. 2s later, the reader will beep once again. The reader is now in Ready mode.
2. Present a card. When the card is read, the blue LED flickers once, the buzzer beeps once, and the card data is transmitted to the controller.
3. Present a mobile phone. The yellow and red LEDs come on. When the mobile phone is read, the blue LED flickers once, the buzzer beeps once, and the card data is transmitted to the controller.
4. Press a keypad key. The backlight under the number flashes once and the buzzer beeps once. The key press is transmitted to the controller.

Wiring

Color	Description
Red	Power supply to the reader (+12V DC)
Black	Signal GND
Green	RS485 A
White	RS485 B
Yellow	N/A
Blue	N/A
Brown	N/A
Orange	N/A
Purple	N/A

Troubleshooting

Problem	Solution
No response on power up	<ul style="list-style-type: none"> • Disconnect the power and confirm that the power supply cable is correctly connected (see “Wiring” section). • Check the input voltage is sufficient (see “Specification” section).
Reader automatically restarts after powering up	<ul style="list-style-type: none"> • Check the input voltage is sufficient (see “Specification” section).
Cannot read card number correctly	<ul style="list-style-type: none"> • Check that the format setting on the controller is the same as the card format. Use an approved card (with known format and facility code) to test. • Check that the shield cable is correctly connected to Chassis GND at <i>one</i> point only.
Reader beeps but no card data is transmitted	<ul style="list-style-type: none"> • Check if RS485 cable is correctly connected (see “Wiring” section). • Check that the input voltage at the card reader end is correct (see “Specifications” section).
Keypad does not respond	<ul style="list-style-type: none"> • Power off reader for 5 seconds, then power on again.



Declaration of Conformity

Hereby, Smarfid declares that this equipment type is in compliance with the following EU Directives for CE marking:

- Directive 2014/30/EU (Electromagnetic Compatibility Directive)
- Directive 2014/35/EU (Low Voltage Directive)
- Directive 2014/53/EU (Radio Equipment Directive)
- Directive 2011/65/EU (Restriction of the use of certain hazardous substances Directive)

The full text of the EU declaration of conformity is available at: <http://www.smarfid.com/uploads/2019/09/241416288788.png>



www.smarfid.com >> Technical Support

Document ID: A-100615-a

Edition date: 24.09.2019